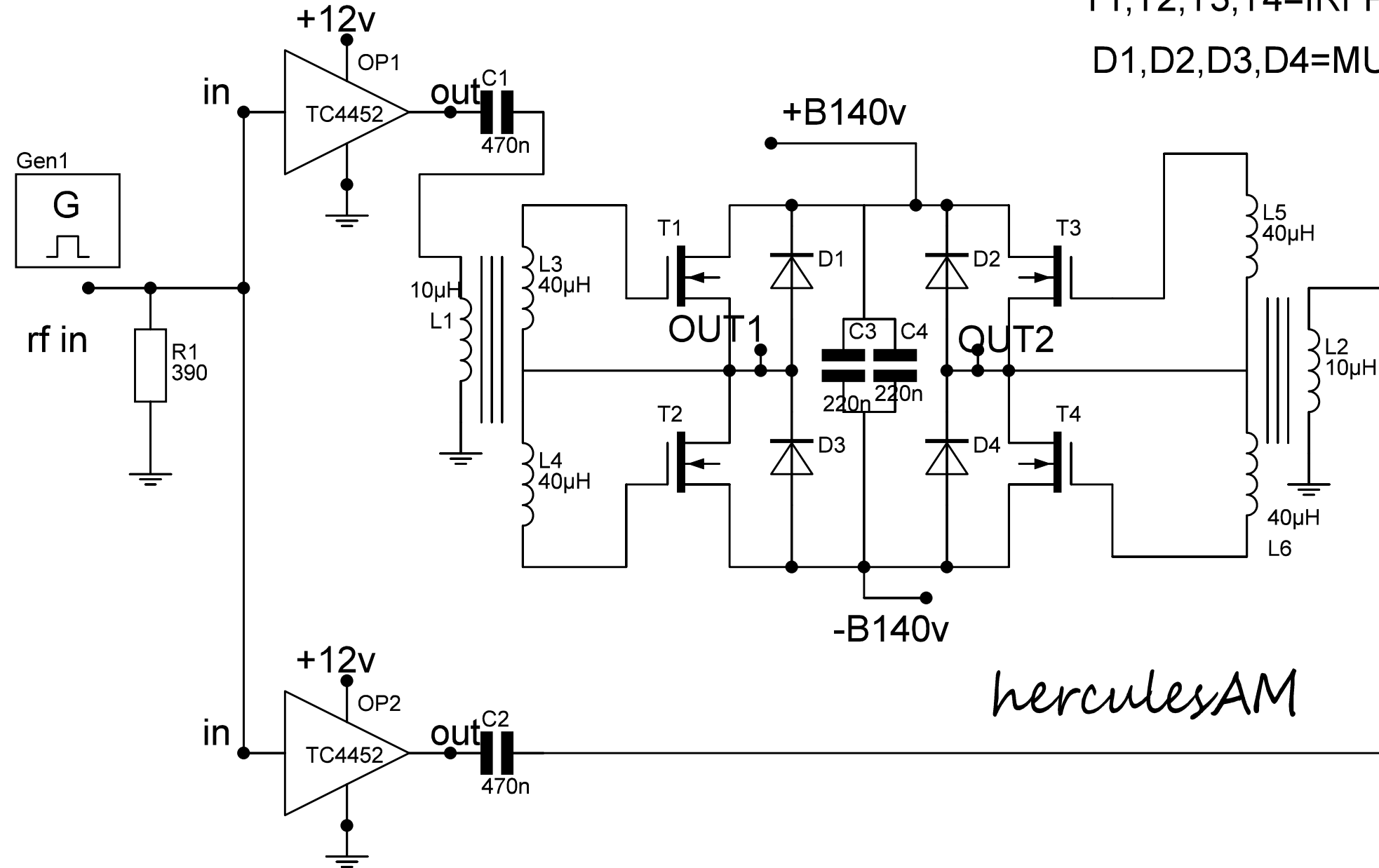


# 1KW RF OUT

T1,T2,T3,T4=IRFP22N50A

D1,D2,D3,D4=MUR460



*herculesAM*