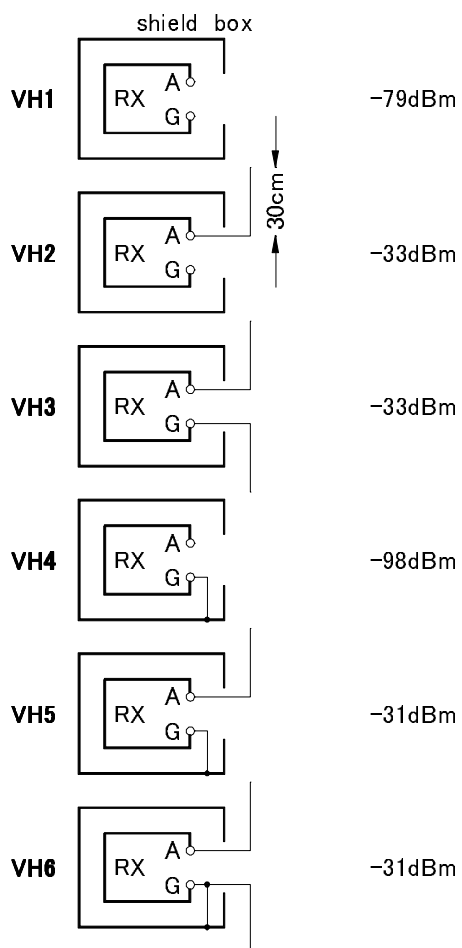
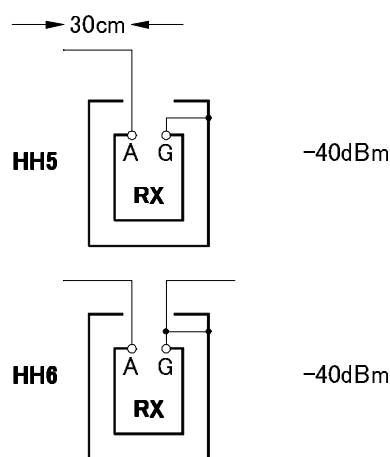


Height=0.7m
(on table) Configuration
(vertical element) Signal strength
(MiniWhip output)



Configuration
(horizontal element) Signal strength
(MiniWhip output)



NOTE:

- (1) date 2013/07/13
- (2) time 01:00 UTC
- (3) by JA5FP
- (4) QTH 35.85253N 140.24065E
千葉県栄町須賀新田 利根川堤防
- (5) ANT element 30cm wire
- (6) earth-rod 10cm in depth
- (7) shield case 23.5 x 23.5 x 12cm
non ceiling (upper side open)
- (8) RX miniwhip + IC-R5 ATT=10dB
- (9) power 9V DC inside case
- (10) ATT 0 to 70dB 10dB step
- (11) signal source BC JOAK
- (12) frequency and power 594kHz 300kW
- (13) distance 63.7km
- (14) reference SSG

Height=0m
(on turf) Configuration
(vertical element) Signal strength
(MiniWhip output)

